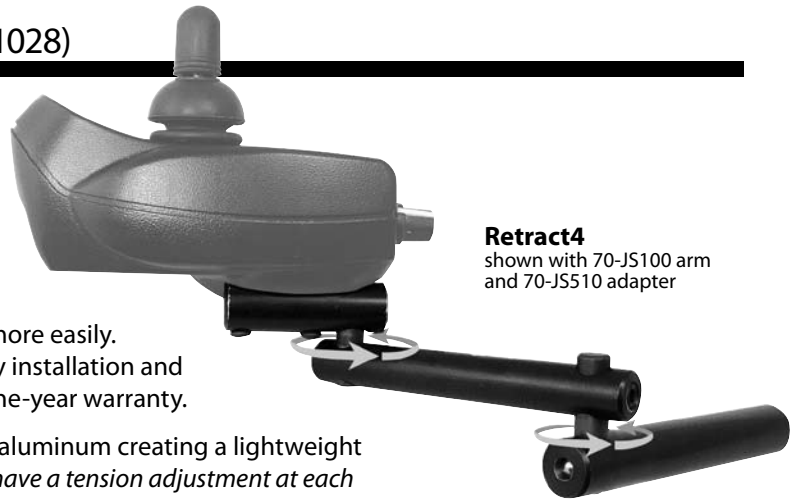


# Retract4 Swing-Away Joystick Arm (E1028)

The **Retract4** employs a simplicity of design that offers unmatched functionality and durability. Its full 180-degree horizontal adjustment means it can be used for both left-hand and right-hand mounting and multi-position use (straight, right offset, left offset, and fold away). Also allows vertical adjustability for the joystick controller. The easy, low-pressure retractability and positioning allows chair users to get closer to tables and desks—and in and out of the chair more easily. Adaptability for most powerchairs and joystick controllers. Easy installation and virtually no maintenance. Sleek profile for easy cleaning. Full one-year warranty.

The **Retract4 Lite** model is made from plastic composites and aluminum creating a lightweight version of the original Retract4. *Note: the Retract4 Lite does not have a tension adjustment at each swivel point of the arm.*

**Midline option** can be added to either the Retract4 or the Retract4 Lite. The 12" midline bar attaches to the second swivel point on the arm and includes a mount for the joystick adapter. Adapter mount includes two set screws and can be adjusted horizontally on the bar's channel. A Tray Spacer is also available for an additional 3" of clearance over tray.



**Retract4**  
shown with 70-JS100 arm  
and 70-JS510 adapter



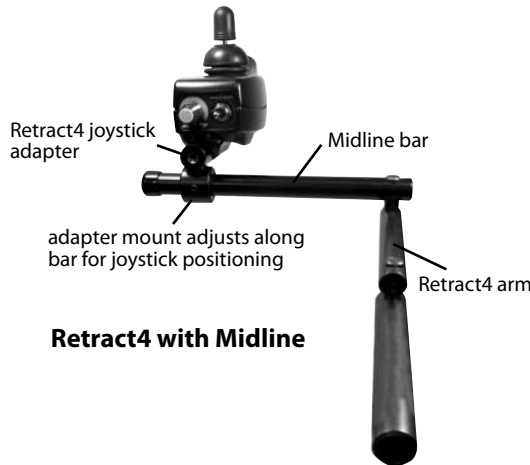
**Part No. /Description**

Part No. /Description	Sugg. Retail
<b>Retract4</b> — includes arm and adapter	\$246.00
<b>Retract4 with Midline</b> — includes arm, adapter and midline bar	\$386.00
<b>Retract4 Lite</b> — includes Lite arm and adapter	\$210.00
<b>Retract4 Lite with Midline</b> — includes Lite arm, adapter and midline bar	\$350.00
<b>Tray Spacer for Midline</b>	\$30.00

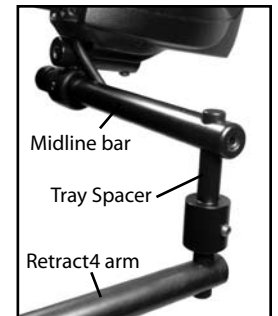
See next page for specific arm and adapter part numbers



**Retract4 Lite**  
shown with 70-JS100P arm  
and 70-JS510 adapter



**Retract4 with Midline**



**EXTENDED**



**RETRACTING**



**FOLDED**


Full 180° movement allows arm to have multiple extended positions—straight, offset to left, offset to right—and adjustments. The Retract4 folds at each joint of the arm so that in the folded position it rests completely to the side of the armrest.

# Retract4 Swing-Away Joystick Arm (E1028)


The Retract4 consists of two components: a **swing away arm (determined by the type of powerchair)** and an **adapter (determined by the type of joystick controller)**.

### ARMS - RETRACT4


**70-JS100**  
Invacare  
( $\frac{7}{8}$ " receiver)



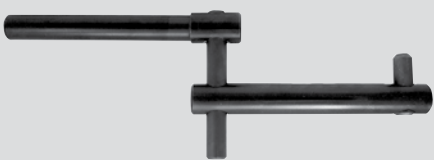
**70-JS150**  
Quickie Rhapsody  
(fits square receiver)



**70-JS200**  
Pride, Quickie  
( $\frac{3}{4}$ " receiver)




**70-JS300**  
Permobil  
( $\frac{5}{8}$ " receiver)




### ARMS - RETRACT4 LITE


**70-JS100P**  
Invacare  
( $\frac{7}{8}$ " receiver)



**70-JS150P**  
Quickie Rhapsody  
(square receiver)




**70-JS200P**  
Pride, Quickie  
( $\frac{3}{4}$ " receiver)




### MIDLINE OPTION

**70-JSML100-12 Midline Bar**  
fits Retract4 and Retract4 Lite

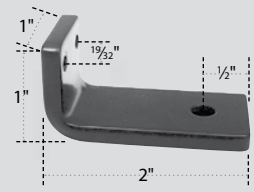


**70-JSML105**  
Midline Tray Spacer

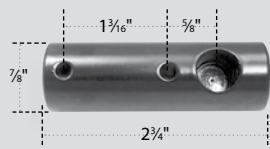


### ADAPTERS - RETRACT4 & RETRACT4 LITE

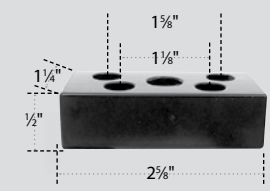
**70-JS500**  
Remote Plus



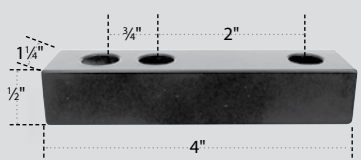
**70-JS510**  
SPJ, SPJ+, MPJ+, Mark4, Mark5, Mark6, Dynamic Shark, Flight



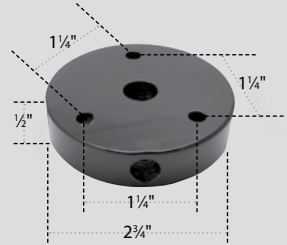
**70-JS520**  
VSI, VS2, VR2, Q-Logic, GC, R-Net, NE+



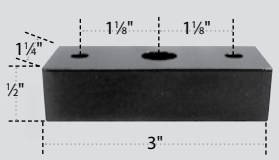
**70-JS530**  
Qtronix



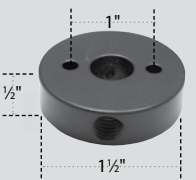
**70-JS540**  
Delphi



**70-JS550**  
PGDT Pilot



**70-JS570**  
Micro Drive



*We can help select the appropriate arm and adapter for your chair and controller – call 800-492-7371.*